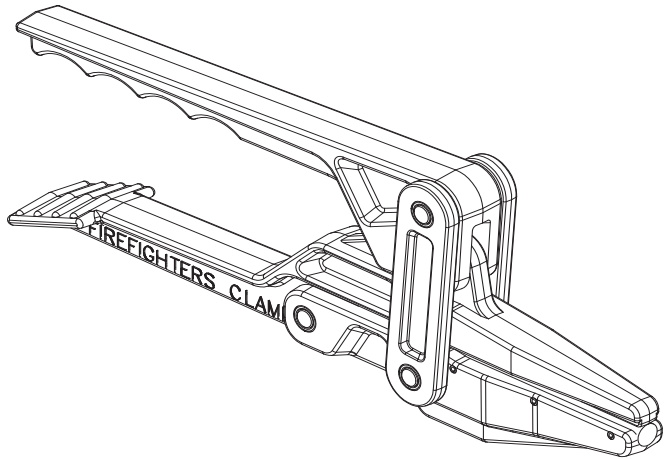




# Fire Hose Squeeze-off Clamp Model FF1-D



## Instruction Manual



For your personal safety READ and UNDERSTAND instructions before using tools.  
SAVE these instructions for future reference.

## SPECIFICATIONS



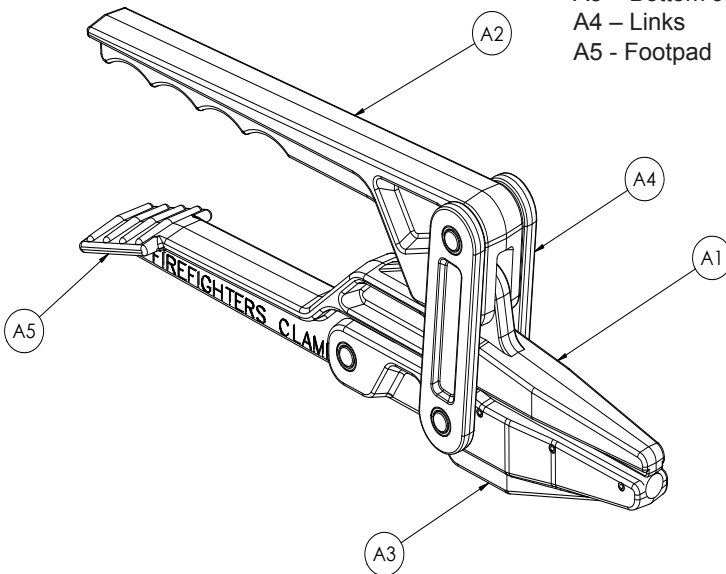
### **NOTE**

- *The FF1-D is designed for double jacket canvas or synthetic hose up to 1-3/4" in diameter.*
- *Rated for 150 PSI*

Length:	12.0 in	30.5 cm
Width:	4.0 in	10.2 cm
Weight:	1.5 lbs	0.7 kg

## FF1-D DIAGRAM

- A1 – Top Jaw / Bottom Handle
- A2 – Top Handle
- A3 – Bottom Jaw
- A4 – Links
- A5 – Footpad



### **NOTE**

Familiarize yourself with all parts, names, and numbers. Refer to this diagram for the assembly and operation procedures that follow.

## INTRODUCTION

Timberline Firefighter Clamps are designed to be used to temporarily stop the pressurized flow of water in canvas, rubber or synthetic hose without permanently damaging the hose.

Prior to using a Timberline Firefighter Clamp, the user should consult and observe any recommendations or precautions from hose manufacturers and industry standards. ***Safety first. Timberline Firefighter Clamps must be installed by qualified, trained personnel only and must never be left on the hose unattended.***

Timberline Firefighter Clamps are crafted from high strength aluminum for superior durability and will not bend or break under normal use. However, care must be taken to ensure the hose is free of foreign materials, and the proper tool is being used on the appropriate hose. Avoid excessive force to prevent tool damage.

## GENERAL SAFETY RULES

### *For all Fire Tools*



### **WARNING**

READ and UNDERSTAND all instructions. Failure to follow all instructions listed below may result in serious personal injury and/or damage to the tool.

## **SAFETY INSTRUCTIONS**

SAVE THESE FOR FUTURE REFERENCE

### *Fire Tool Safety*



#### **WARNING**

The FF1-D is designed to be used on double jacket canvas or synthetic hose up to 1-3/4" in diameter.

Observe hose manufacturers' and industry recommendations and precautions that apply to shut off of pressurized hose.

Never leave the clamp on the hose unattended for an extended period of time.

Inspect the tool for signs of damage prior to use, and make sure the hose is not damaged and will be able to withstand the pressure when the flow is stopped.



#### **CAUTION**

Make sure that the hose is clear of any rock, dirt, debris, etc.

Always hold the clamp away from your body, and keep the clamp and hose on the ground at all times during the operation.



#### **WARNING**

*Do not exceed 250 PSI*

*Use only on 3/4" to 1-3/4" diameter fire hose sizes*

Remember SAFETY IS FIRST

### *Workplace Safety*

Always follow applicable company and OSHA safety procedures.

Safety first. Timberline shut-off tools must be used by qualified, trained personnel only and must never be left on the hose unattended.

## *Personal Safety*

Stay Alert, watch what you are doing, and do not use tools while tired or under the influence of narcotics, alcohol, or medication.



Use proper clothing, eye protection, and safety equipment when using shut-off clamps.

A moment of inattention while operating shut-off tools may result in personal injury.

Store idle tools out of reach of children and other untrained persons.

## *Specific Tool Safety*

If you have used other Timberline products please be aware that the operation of this tool may differ from others and that you may need to follow different rules. Always consult the manual to insure you are following the correct safety instructions to avoid personal injury.

## *Tool Usage Safety*

Do not force the tool to perform a shut-off.



Maintain the tool with care. A properly maintained tool will be less likely to cause damage and is easier to control.

Check for misalignment, binding of parts, breakage of parts, and other conditions that might affect the operation of the tool. Accidents may be caused by improperly maintained tools.

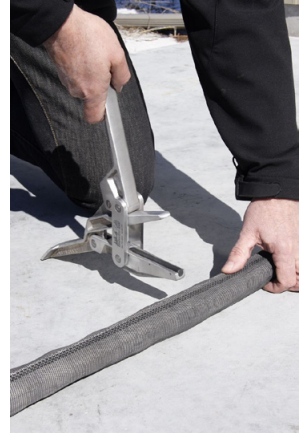
Failure to use the FF1-D in the manner specified in this manual may result in injury and/or permanent damage to the tool.

## *Tool Service Safety*

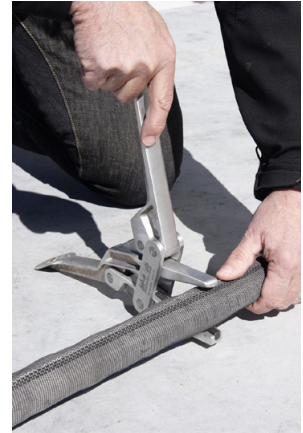
Tool service must only be performed by qualified repair personnel. Service or maintenance performed by unqualified personnel could result in a risk of injury.

## OPERATING PROCEDURE

1. Set the fire hose nozzle in a “weeping” position.
2. Kneel beside the fire hose and hold the clamp in the open position with one hand making sure the **top handle** points upward. **Fig 1**
3. With the other hand, place the hose as far as possible into the open jaws and place the tool on the ground. **Fig 2**
4. Stabilize the clamp by placing your foot on the **footpad**.
5. 5. Hold the hose with one hand on each side of the clamp and roll the hose fully into the jaws until it comes in contact with the links. **Fig 3**
6. Depress the top handle on the clamp to instantly shut off water supply. **Fig 4**



**Fig 1**



**Fig 2**



**Fig 3**



**Fig 4**



### **NOTE**

The clamp is self-locking and will remain locked until released.



**Fig 5**

7. To begin removal of the tool from the hose, place your foot on the footpad and firmly grip the top handle with both hands. **Fig 5**
8. To complete the removal of the tool, pull the handle up until the clamp passes “over center” and the jaws unlock. **Fig 6**



As soon as the clamp unlocks, the pressure in the hose will cause the handles to spread rapidly. Be prepared to apply downward pressure on the handles so they open slowly and the hose is re-pressurized in a controlled manner.



An uncontrolled pressure surge may cause the end of the hose to jump dangerously and unpredictably. It is important to release the clamp from the hose in a slow, controlled manner to avoid injury or damage.



**Fig 6**

## SERVICE

*After every 10 uses:*

1. Lubricate the pins and bushings with light oil.



If you have questions, please feel free to contact our customer service representatives at 1-800-735-6845 or by email at [service@timberlinetool.com](mailto:service@timberlinetool.com).

## ACCESSORIES



Any accessories or attachments recommended for use with your Timberline Tool are specified in this manual. The use of any other accessories or attachments might present the risk of injury. Only use accessories or attachments for their stated purpose.

## TIMBERLINE LIMITED WARRANTY

### *Warranty Policy*

Every product manufactured by Timberline Tool is thoroughly inspected and tested before leaving the factory. Our products are warranted to be free of defects from workmanship and materials for the period of ONE YEAR from the date of original purchase. Should any trouble develop on our tools, handles, or accessories during this one-year period please call 800.735.6845 to obtain return authorization for repair. If inspection shows the trouble is caused by defective workmanship or material, Timberline Tool will repair or, at our option, replace the product without charge.

This Warranty does not apply where:

- Repairs have been made or attempted by others.
- Repairs are required because of normal wear and tear.
- The tool has been abused, misused, or improperly maintained.
- Alterations have been made to the tool.

IN NO EVENT SHALL TIMBERLINE TOOL BE LIABLE FOR ANY INDIRECT, INCIDENTAL OR CONSEQUENTIAL DAMAGES FROM THE SALE OR USE OF THE PRODUCT. THIS DISCLAIMER APPLIES BOTH DURING AND AFTER THE TERM OF THIS WARRANTY.

TIMBERLINE TOOL DISCLAIMS LIABILITY FOR ANY IMPLIED WARRANTIES, INCLUDING IMPLIED WARRANTIES OF "MERCHANTABILITY" AND "FITNESS FOR A SPECIFIC PURPOSE," AFTER THE ONE-YEAR TERM OF THIS WARRANTY.

This Warranty gives you specific legal rights, and you may also have other rights which vary from state to state. Some states do not allow the exclusion or limitation of incidental or consequential damages, so the above limitation or exclusion may not apply to you. Some states do not allow limitation on how long an implied warranty lasts, so the above limitation may not apply to you.

This Page Intentionally Left Blank

This Page Intentionally Left Blank



***Timberline Tool***™

**800-735-6845**



(406)755-4258



(406)257-2711

[www.timberlinetool.com](http://www.timberlinetool.com)

90 Conestoga Ct. Kalispell, MT 59901 USA